



CENTRAL OHIO WOODTURNERS



April 2004

From the President

April 13 Club Meeting

Demonstration: Our demonstrator this month will be Jerry Beall, founder, production manager, and resident inventor of the Beall Tool Company in Newark, Ohio. Jerry will be speaking about selling your work and possibly making a living from it, based on his thirty-plus years as an arts and crafts show and production woodworker.

This presentation will be extremely valuable for anyone entertaining notions of becoming a full or part time professional tuner. Although Jerry's career has spanned much more than just turning, turning has played an important part in it, and he has invented and/or developed numerous unique and useful turning-related products, including his treen mandrels, collet chucks, buffing system, Lathe Wizard, Guilloche attachment, and Chuck Puck.

Browse to <http://www.bealltool.com> for more information about these and other of Jerry's inventions.

Show & Tell: April Fools

Coming Up

The Show & Tell theme for the **May** Meeting will be: *Surface Decoration*. Any kind of enhancement made to the surface of turnings. This could be painting, carving, burning, texturing, or a combination of multiple techniques.

If you haven't already registered, now is the time to do so for the David Ellsworth demonstration on Saturday May 8. The price for club members is only \$10 and includes lunch.

We will have open nominations for club officers at the beginning of the April meeting, and the election will be held at the beginning of the May meeting.

-- Tip House



March Business Meeting

Central Ohio Woodturners
Meeting 3/09/2004
Secretaries Report

Another great turnout with 99 members in attendance! We had several new members and visitors.

Announcements

Elections are coming up and we are going to have openings for the President and the Secretary. If you are interested in either of these high paying positions contact Floyd Anstaett, Freddie Dutton, Dan Dapra, Barb Crockett or Jerry Hubschman.

Collaborative Challenge. – Dave Bowers along with Mike Berchak have done a lot of work on coming up with a design for the AAW Collaborative Challenge. The design is of a small tree, bird's nest, eggs, and a small bird. Dave has broken down all the components into simple shapes that would be easy for anyone to turn. Once all of these parts are turned we are going to carve, texture, color, etc to make them part of our club's entry. If you want to participate contact Dave Bowers or Andi Wolfe.

Treasurer's report – We are down to one open slot for the hand's on Demo's on Friday, Sunday, and Monday. The Saturday group demo still has a lot of room. The Saturday demo is \$10 to help cover the cost of food and I can promise you it will be a great demo. If you have never attended a demo from a pro-turner I highly encourage you to come see this one. I can guarantee you will not only learn something but you will also get to see one of the best known turners in the world and a great teacher. We have \$5968 in the bank counting all of the paid signups for the Ellsworth Classes.

Blair Davis made an announcement that we will be having a gallery show at the High Road Gallery. We will have a signup sheet at the next meeting. This is a 'for sale' show and all pieces will need to be priced, High Road only takes a 10% commission.

Walt Betley announced that Fred Kimes has a display of his work showing at the Upper Arlington Library

Russ Tipton announced that all COW members are invited to a show and sale over the Thanksgiving weekend. This will be in conjunction with the Columbus Chippers carving club and is another good opportunity to sell.

Scott Hogsten, Secretary

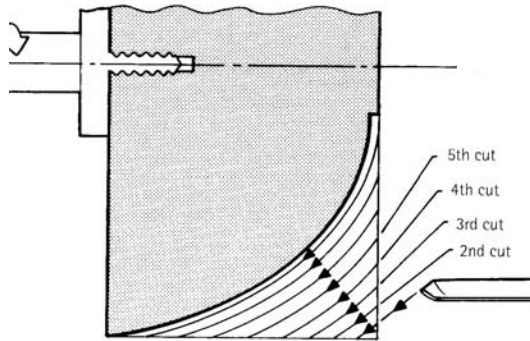




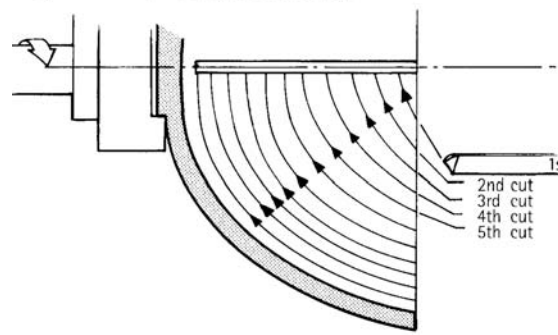
BEGINNER'S CORNER

Turning Your First Bowl

This month the Beginner's Corner will demonstrate the turning of a simple bowl. Bowl turning is also called "faceplate turning." In faceplate turning we are no longer turning along the side grain as in spindle turning. In each revolution of the work we now encounter two regions of end-grain. The wood is attached to the lathe with a faceplate, screw chuck, or a 4-jaw chuck. The tools used to turn bowls are different from those used in spindle turning. The primary tool is a bowl (deep fluted) gouge but scrapers are also used. As a first project you should select a simple open bowl profile and use any of the native hardwoods such as ash, cherry or maple. The two figures below show the order of cutting the outside and the inside of a simple bowl shape. The two diagrams are from *WOODTURNING: A Foundation Course* by Keith Rowley.



OUTSIDE



INSIDE

Chuck Kemp will be the demonstrator for this session.

Next month Walt Betley will host the Beginner's Corner and demonstrate the turning of "Weed Pots". After the summer break we'll talk about finishing, design and surface enhancement.

Chuck Kemp, *Beginner's Corner* Coordinator



*** Lathes For Sale ***

Conover Lathe

Electronic variable speed.

Contact: Russ at 614-471-0450.

General Lathe

Model 260 Variable Speed Lathe w/one horse motor, 20 inch swing. Very good condition, lots of accessories, various nova chucks, and face plates. Asking \$1600.00.

Contact: Santo Merullo at 303-707-1051

March Show and Tell

Scott Hogsten – Brought in three Bradford Pear vases of slightly different styles. Yes it's strange to write an entry for yourself.

Chuck Kemp – Brought in a ten inch in diameter Cherry plate with a rim died with green aniline dye .

Chris Marshall – displayed his first box. The box was well designed with a loose fit lid and he used Cocobolo.

Ron Coleman – Brought in one of his kaleidoscopes made from spalted maple. Ron is a master of these and demonstrated making them at our last meeting.

Neal Springer – Brought in several small horns

Bill Harsh – Brought in a box of wooden eggs made from a variety of woods. If you have never turned an egg I encourage you to give it a try it's not as easy as it looks.

Richard Ruehle – Brought in a wonderful Holly bowl with an inlay of inlaid

Walt Berchak – Brought in a carver's mallet

Blair Davis – Brought in a one of his Djembe drums and gave us a short solo.

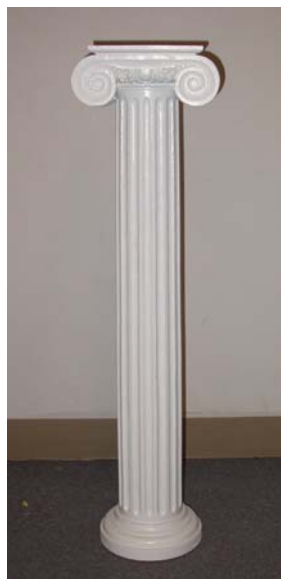
Bill Tipperary – Brought in a pen made our of Purple Heart and a light color wood that looked surprisingly like a bobber.

Al Schmidt – Al had a very nicely designed and finished walnut bowl.

Russ Tipton – brought in a hand carved Ionic column



March Show and Tell



March Demonstrations



Club Resources

Club Library

We have an extensive and growing library of turning-related videos, CD's and DVDs. Any member in good standing can check these out. Below is a list of available titles. Contact Scott Hogsten for more info, or to check them out

1. Hollow Turning – John Jordan
2. Turning Wood – Richard Raffan
3. Kelton Tools
4. Techniques from the '95 AAW Symposium
5. Skill Building – Mark St. Ledger
6. Turning Projects – Bob Rosand
7. Techniques and Projects – Bonnie Klien
8. Techniques from the 2003 AAW Symposium Vol 1
9. Techniques from the 2003 AAW Symposium Vol 2
10. Fundamentals of Sharpening – Alan Lacer, Bonnie Klien
11. Instant Gallery Critique 2003 AAW Symposium
12. Bowl Turning – John Jordan
13. Scenes from the 1995 AAW Symposium
14. Instant Gallery 1996 AAW Symposium
15. AAW – What we have to offer
16. Scenes from the 1993 AAW Symposium
17. Scenes from the 1994 AAW Symposium
18. Instant Gallery Critique 1996 AAW Symposium

Club Lathes

Did you know that the club lathes are available for members to take home and use for extended periods of time, up to three months? The club has three fully equipped Jet mini-lathes that any member in good standing can sign out and take home.

This is great way to try out turning before buying your own lathe, or to give a child or another family member a chance to turn by your side.

The only constraints are that you must return the lathe whenever we need it for a meeting, demonstration, workshop, or other club event, and you must take responsibility for the lathe and accessories while you have it checked out.

Each lathe has everything you need: live center, drive center, four-jaw chuck, faceplate, etc. You just need to supply some tools and the wood.

Contact Craig Wright if you are interested in taking advantage of this great opportunity.

Steering Committee Notes

Meeting: March 31 2004 at Chuck's

Attendees: Tip House, Chuck Kemp, Craig Wright, Andi Wolfe, Walt Betley, Dave Bowers

Discussion:

1. Preparations for the April 13 meeting: Food, demonstration, Beginner's Corner
2. Discussed and approved Jerry Beall for April Demonstration
3. Discussed possible discontinuation of 'blue dot' system for show-and-tell.

Next Meeting: April 27, location T.B.D.

Contact Tip House if you are interested in serving on the steering committee, or would like to attend a meeting.

CALENDAR OF EVENTS

Rockler is located at 2500 E. Main St., Columbus (Bexley). Phone: 614-231-0061

Just show you membership card from the Central Ohio Woodturners and receive a 15% discount on everything except power tools. Stop in and pickup a copy of the fall/winter demonstration schedule.

Woodcraft is located at 4562 Cemetery Road, Hilliard. Phone: 614-527-7594

We continue to offer a wide variety of class listings, which our customers can find in our WOODCRAFT FLYERS and in our IN-STORE HANDOUTS. Our class information can also be found under the WOODCRAFT SITE on the Internet. Just look us up under www.woodcraft.com (stores - Columbus or Hilliard - classes). We actually have several classes already scheduled for next April & May 2004, which might be of some interest to our customers.

Woodwerks is located at 1181 Claycraft Road, Columbus, OH 43230 Phone: 614-575-2400.

We would like to thank the Ohio State University for letting us use their facilities for our meetings.

This Newsletter is a Publication of the
Central Ohio Woodturners
c/o Scott Hogsten
1803 Upper Valley Dr.
West Jefferson, OH 43162

President: Tip House, 614-431-8929
house@oclc.org

Vice President: Chuck Kemp, 614-846-2066
ckemp@columbus.rr.com

Secretary: Scott Hogsten, 614-879-9873
shogsten@compuserve.com

Treasurer: Craig Wright, 614-885-9419
cjwright@insight.rr.com

Acting Editor: Tip House, 614-431-8929
house@oclc.org

Meetings are held monthly on the second Tuesday of
September through May, from 7:00 p.m. – 9:00 p.m.

At

The Ohio State University Industrial Technology Bldg.,
located at 1100 Kinnear Road, Columbus, Ohio

Membership Dues for the Central Ohio Woodturners are
\$25.00 per Person or \$30.00 per Couple or Family

Mail Dues to:

Craig Wright, Treasurer
7634 Whitneyway Dr.
Worthington, OH 43085-5311

E - MAIL NEWSLETTER

Did you know that this newsletter could be e-mailed to you? We can send the newsletter to any e-mail address in PDF format Adobe Portable Document. Using Acrobat Reader 5, you will be able to view the pictures in color and print the newsletter on your printer.

Web Sites of Interest

Central Ohio Woodturners (COW)
<http://centralohiowoodturners.org>

Woodworkers of Central Ohio (WOCO)
<http://www.wocoweb.com/>

American Association of Woodturners (AAW)
<http://www.woodturner.org/>

Western Cape Woodturners Association
<http://www.angelfire.com/ct/wcwa/index.html>

Central Ohio Woodturners – Tip House, President

Direct Correspondence to:

Scott Hogsten

1803 Upper Valley Dr.

West Jefferson, OH 43162

PLEASE
PLACE
STAMP
HERE

Place
Mailing Address
Here